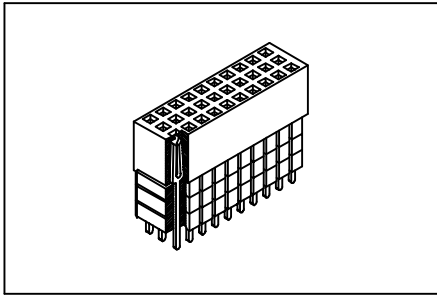


Elevated P.C.B. Socket
2.54mmX2.54mm(0.100"X0.100")

GXCON



Material:

Housing: 30% Glass filled PBT UL94V-0.
Contacts: Phosphor Bronze.
Plating: Gold plated over nickel.
Tin plated over nickel.

Electrical Characteristics:

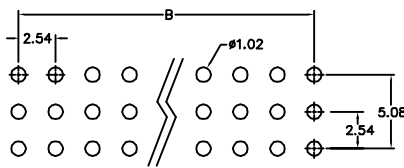
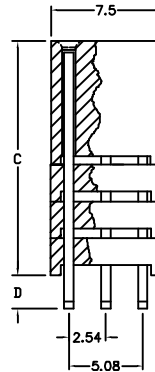
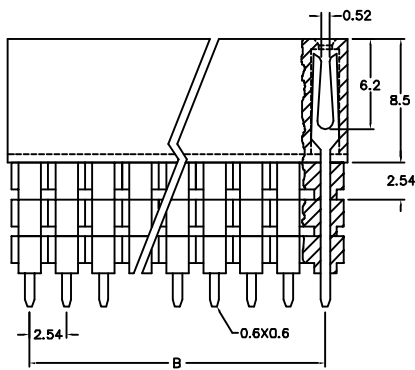
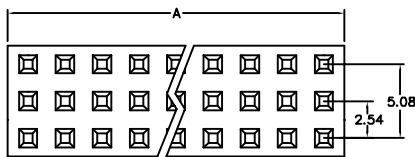
Current Rating: 1 AMP.
Insulator Resistance: 5000MΩmin. at DC 500V.
Contact Resistance: 20mΩmax. at DC 100mA.
Operating Temperature: -55°C ~ +105°C .

Mechanical Characteristics:

Insertion Force: 140g avg. (0.64mm sq. pin)
Withdrawal Force: 114g avg. (0.64mm sq. pin)

Features:

- * Wide range of board spacing choices.
- * Triple row: 9pin through 120pin available.
- * Turning fork contacts offer lower cost for competitive market.



P.C. Board Layout

Position	9 Thru 96							
Dimension	2.54 X No. of Positions /3+0.5							
A	2.54 X No. of Positions /3+0.5							
B	2.54 X No. of Positions /3-2.54							
C	L1	L2	L3	L4	L5	L6	L7	L8
	11.05	11.05	13.59	16.13	11.05	13.59	16.13	18.67
D	2.50	7.35	4.85	2.30	12.2	9.65	7.10	4.60

Ordering information

PS08- 3 40 1 1 L1
 Series Triple Row No. of Pin Per Row 1: Gold Plated 2: Tin Plated 1: Straight Choices of L1 ~ L8